

Key Machines

Bravo III

Lever Operated Duplicator with EZ-Jaw[®]



The Bravo III is a high precision, heavy duty semi-automatic key machine designed for ultra reliability and ease of use.

Lever operated, the Bravo III now features EZ-Jaw[®] four-position vise jaws, offering exceptional key gripping ability. They can be quickly rotated from one clamping position to the next without lifting first, and accommodate most residential, commercial, and automotive keys without needing an adapter.

The  to your success

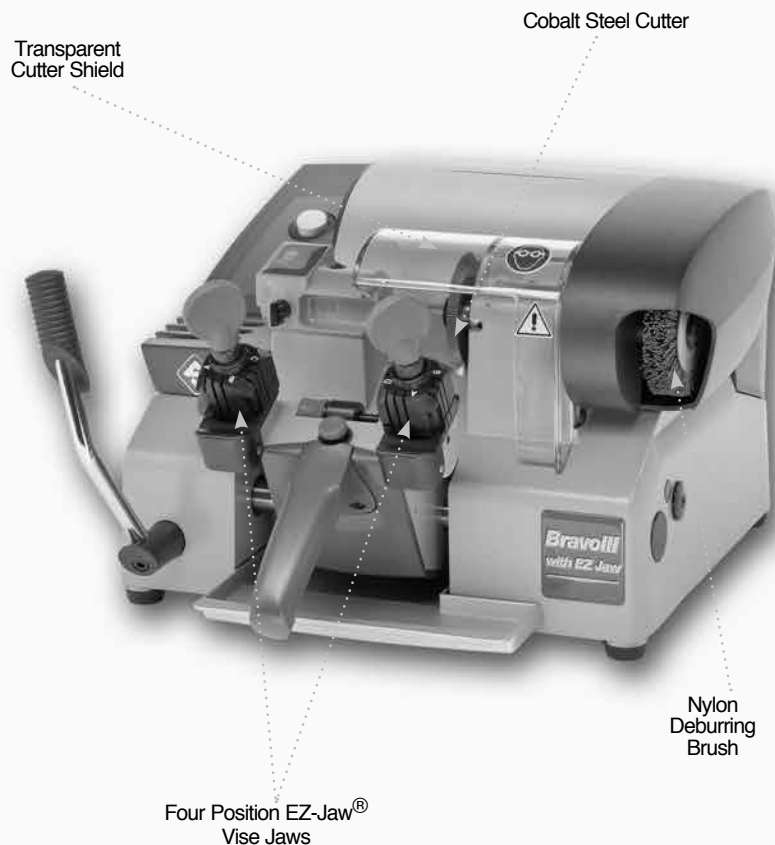


A member of the Kaba Group
www.kaba-ilco.com

Bravo III Lever Operated Duplicator with EZ-Jaw[®]

The Bravo III key machine is provided with the CU50A cutter and a corresponding cutter guide. The durable cobalt steel cutter ensures a smooth, clean, accurate cut. The Bravo III is designed to duplicate common cylinder and automotive key blanks as well as Titan[®] and older GM[®] with 90 degree first cut biting characteristics.

- Wide spacing between vise jaws accommodates new longer keys and large headed keys.
- Versatile four-position EZ-Jaw[®] vise jaws securely grip virtually all residential, commercial, and automotive keys... including double-sided types, without requiring adapters. Designed with the user in mind, they are rotatable from one position to another without lifting first.
- Carriage is spring loaded, provides consistent cutting pressure, and reduces potential for miscuts.
- Automatic cutter start feature controlled by micro-switch is activated by raising or lowering the carriage.
- Precise adjustments. A tracer point with micrometer dial regulation makes it quick and easy to adjust depth of cut; simple to replace when worn.
- Carriage release button can only be activated when the key gauges are in the down position, preventing potential cutter contact.
- Two carriage shafts ensure sensitivity and precision in the cutting movement.
- Features a "soft-touch" deburring nylon brush.



Transparent
Cutter Shield

Cobalt Steel Cutter

Nylon
Deburring
Brush

Four Position EZ-Jaw[®]
Vise Jaws

Specifications:

Motor: 110V standard; ¼ hp capacitor start

ViSe Jaws: EZ-Jaw[™]

Cutter: CU50A milling cutter, flat left side, cobalt steel

Brush: D925102ZR

Dimensions: 15"W x 20" D x 10" H (38cm x 51cm x 25cm)

Weight: 47 lbs. (21.4kg)

Duplicates Cylinder and Automotive Keys



Kaba Ilco Corp.
400 Jeffreys Road · Rocky Mount, NC 27804
Phone 800.334.1381 · Fax 252.446.4702
www.kaba-ilco.com

Form #3028/0810